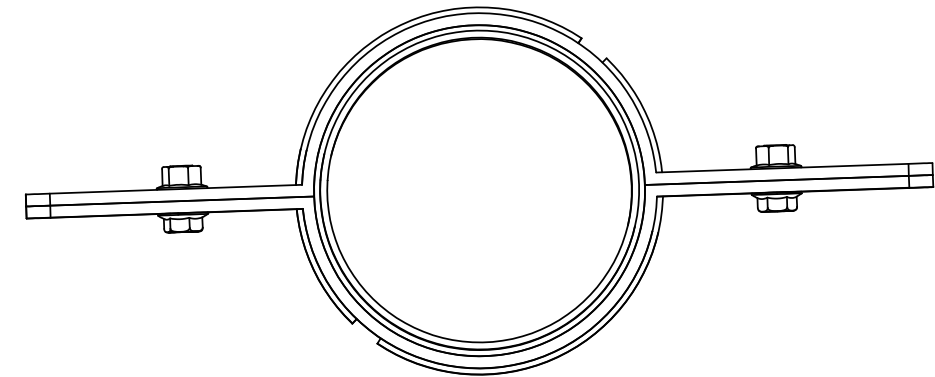
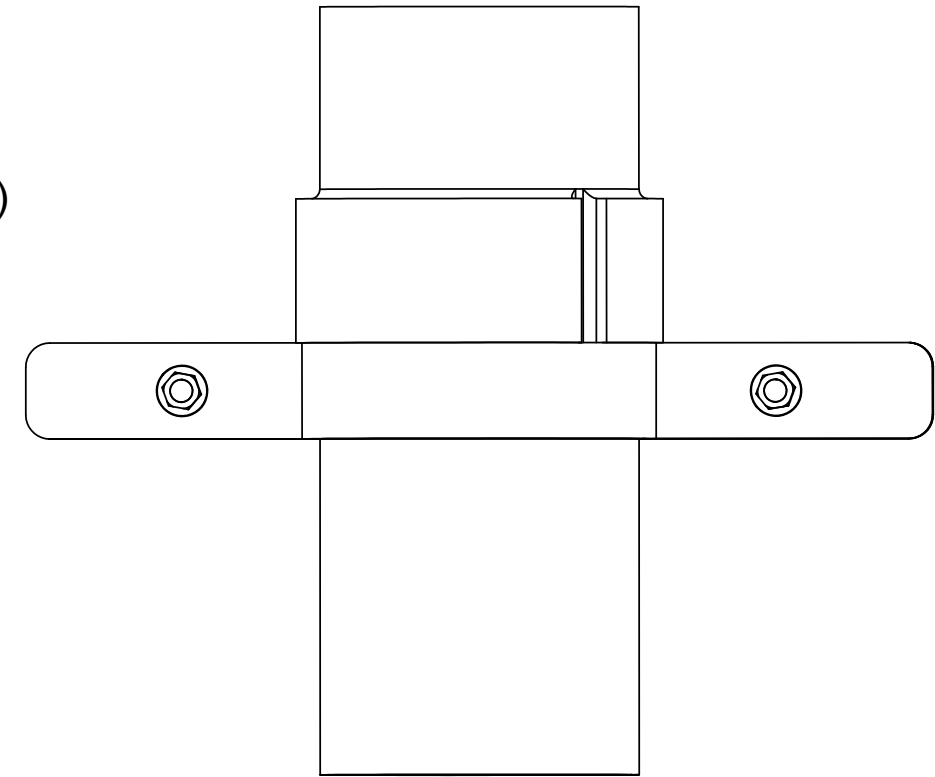
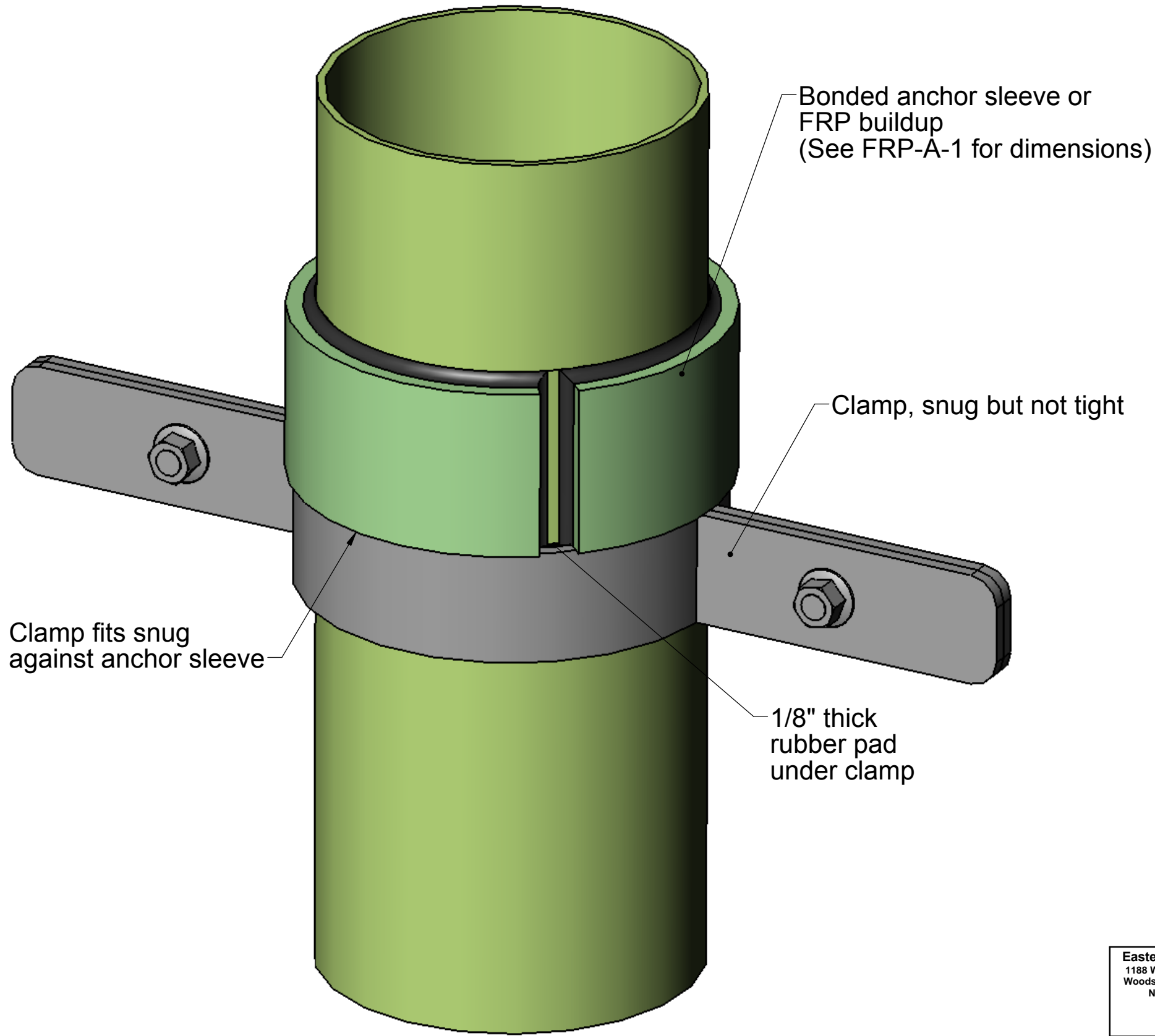


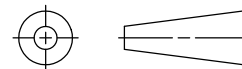
NOTES:



Clamp fits snug against anchor sleeve

1/8" thick rubber pad under clamp

THIRD ANGLE PROJECTION



Eastern Canada
1188 Welford Place
Woodstock, Ontario
N4S 7W3
Toll Free: (800) 410-4802
Fax: (519) 537-8321
frp@frpsolutions.com

Western Canada
#2 - 9604 41st Avenue
Edmonton, Alberta
T6E 6G9

Fibreglass Solutions Inc.

RISER CLAMP

CUSTOMER
X

PROJECT
Support, Anchor & Guide Design

DRAWN BY
J.GANDER

CHECKED BY
B.GOWLAND

APPROVED
B.GOWLAND

DATE
23 JAN 06

DATE
28 FEB 06

DATE
18 APR 06

TITLE

SIZE

DRAWING NO

SCALE

Not to Scale

WEIGHT

N/A lbs

REVISION

FRP-V-1

SHEET 1 OF 1