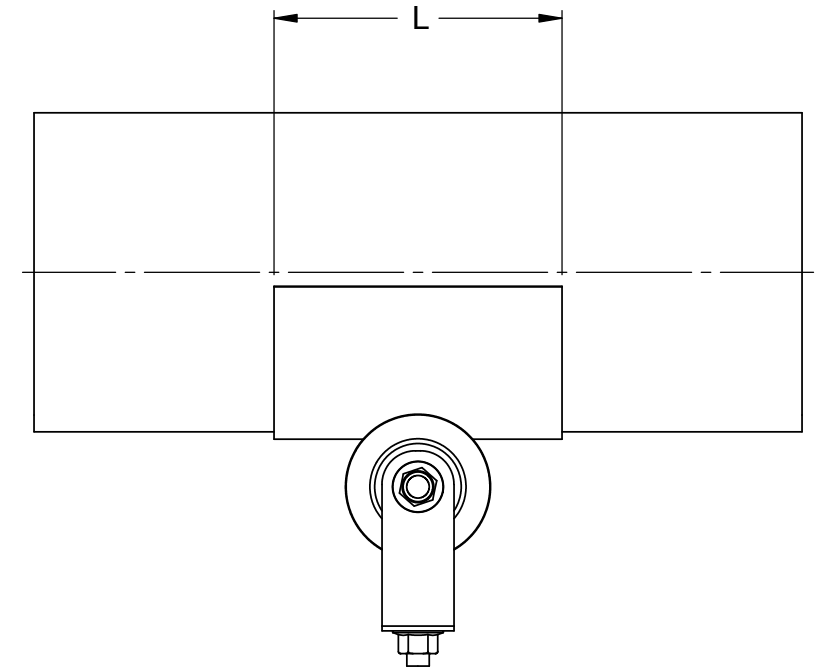
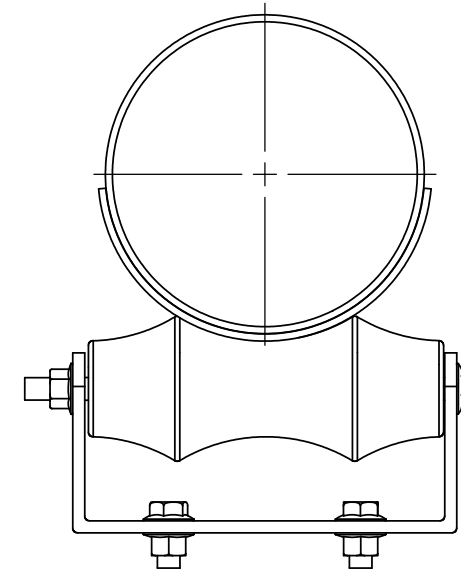
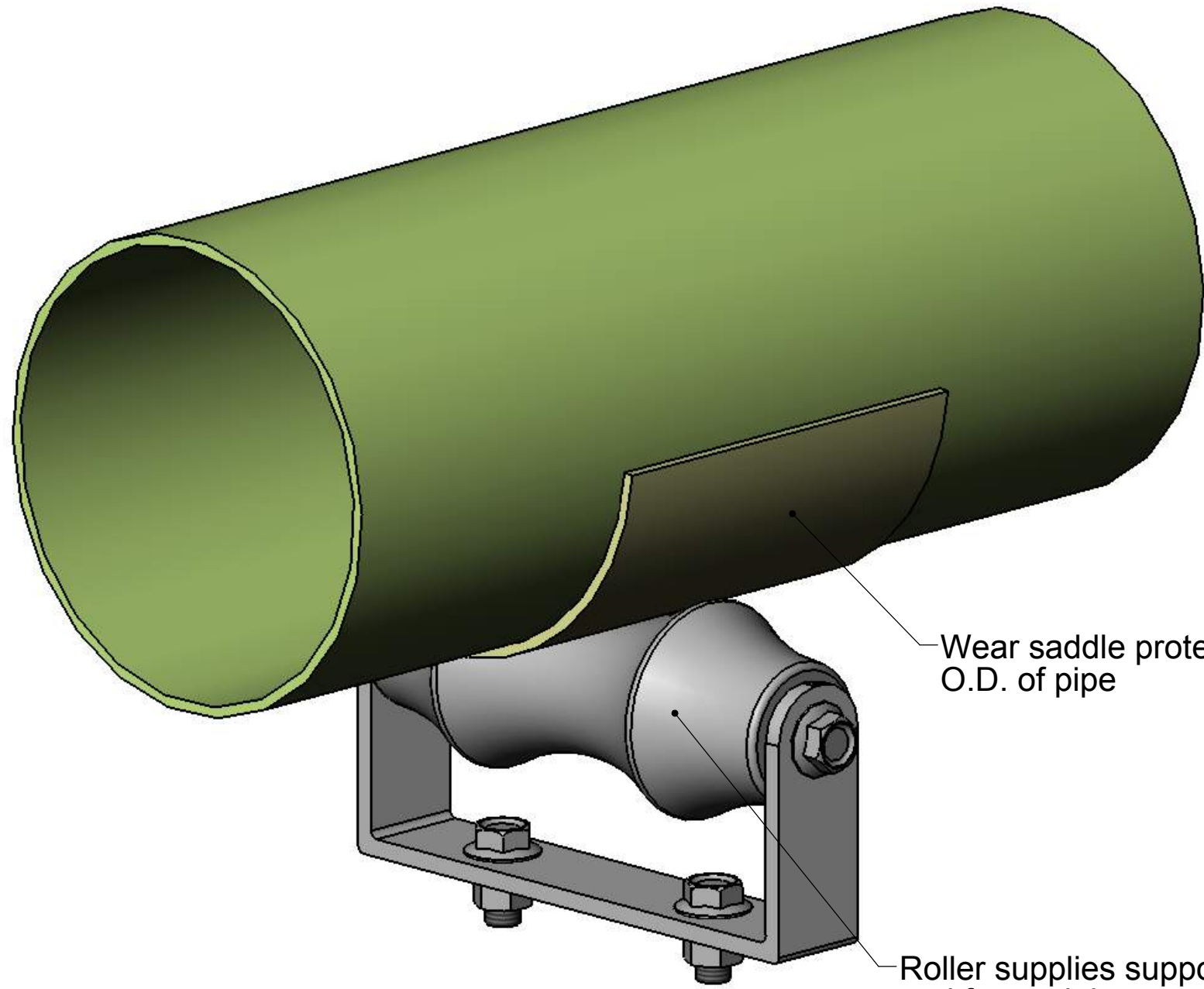


NOTES:



**Pipe Support Saddle Length (L)**

Pipe Size (in)	CL-2030, RB-2530, Chem Thread, Z-Core	Red Thread II, Green Thread, Silver Streak, F-Chem, CL-1520, RB-1520
Contact Angle	110 – 120°	170 - 180°
1"	3	2
1 1/2"	3	2
2"	4	4
3"	4	4
4"	4	4
6"	4	6
8"	5 5/8"	8
10"	8 3/8"	10
12"	8 3/8"	12
14"	8 3/8"	12
16"	-	12
18"	-	12
20"	-	12
24"	-	12

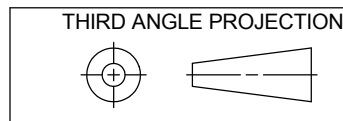
\* Support saddles should be bonded or banded in position.

**Eastern Canada** 1188 Welford Place Woodstock, Ontario N4S 7W3  
**Western Canada** #2 - 9604 41st Avenue Edmonton, Alberta T6E 6G9  
 Toll Free: (800) 410-4802  
 Fax: (519) 537-8321  
 frp@frpsolutions.com

**Fibreglass Solutions Inc.**

**Roller Support**

**FRP-R-1**



CUSTOMER X	DATE 27 Jan 06
PROJECT Anchor, Support and Guide Design	DATE 28 Feb 06
DRAWN BY J.GANDER	DATE 18 Apr 06
CHECKED BY B.GOWLAND	
APPROVED B.GOWLAND	

TITLE	SCALE	WEIGHT	REVISION
	Not to Scale	N/A lbs	
			SHEET 1 OF 1