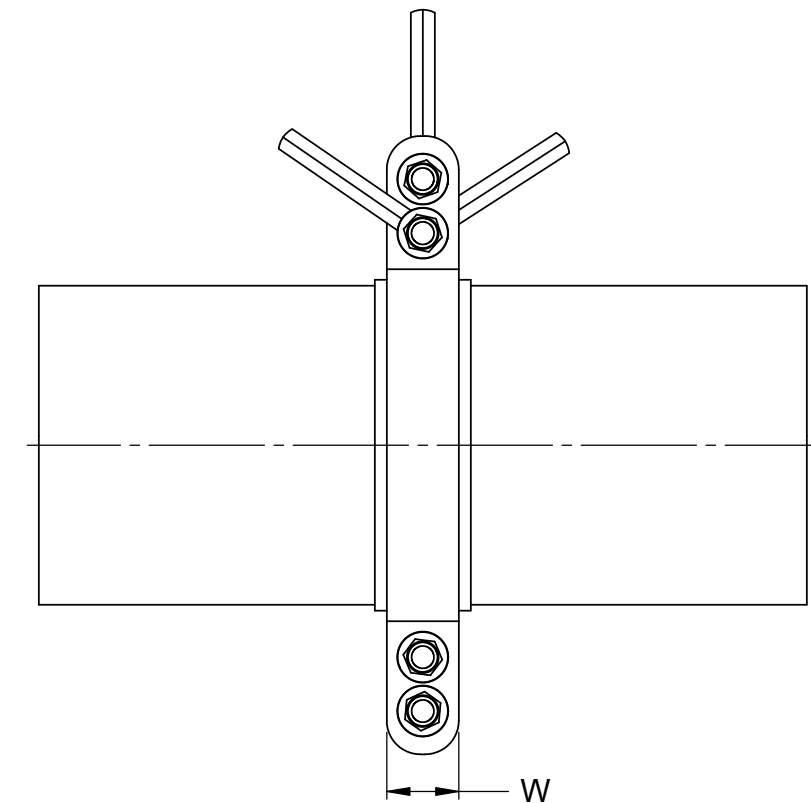
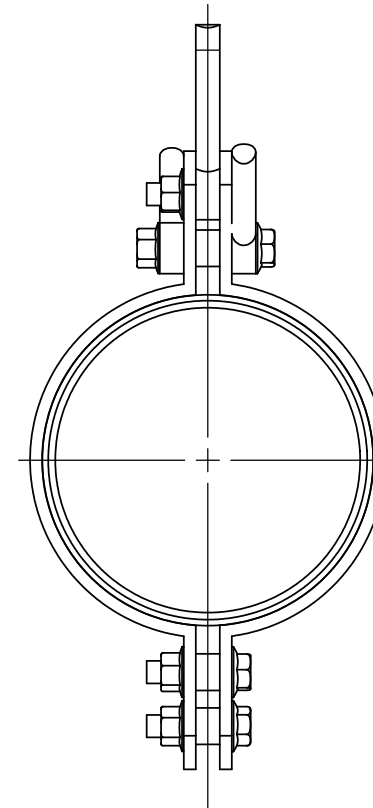
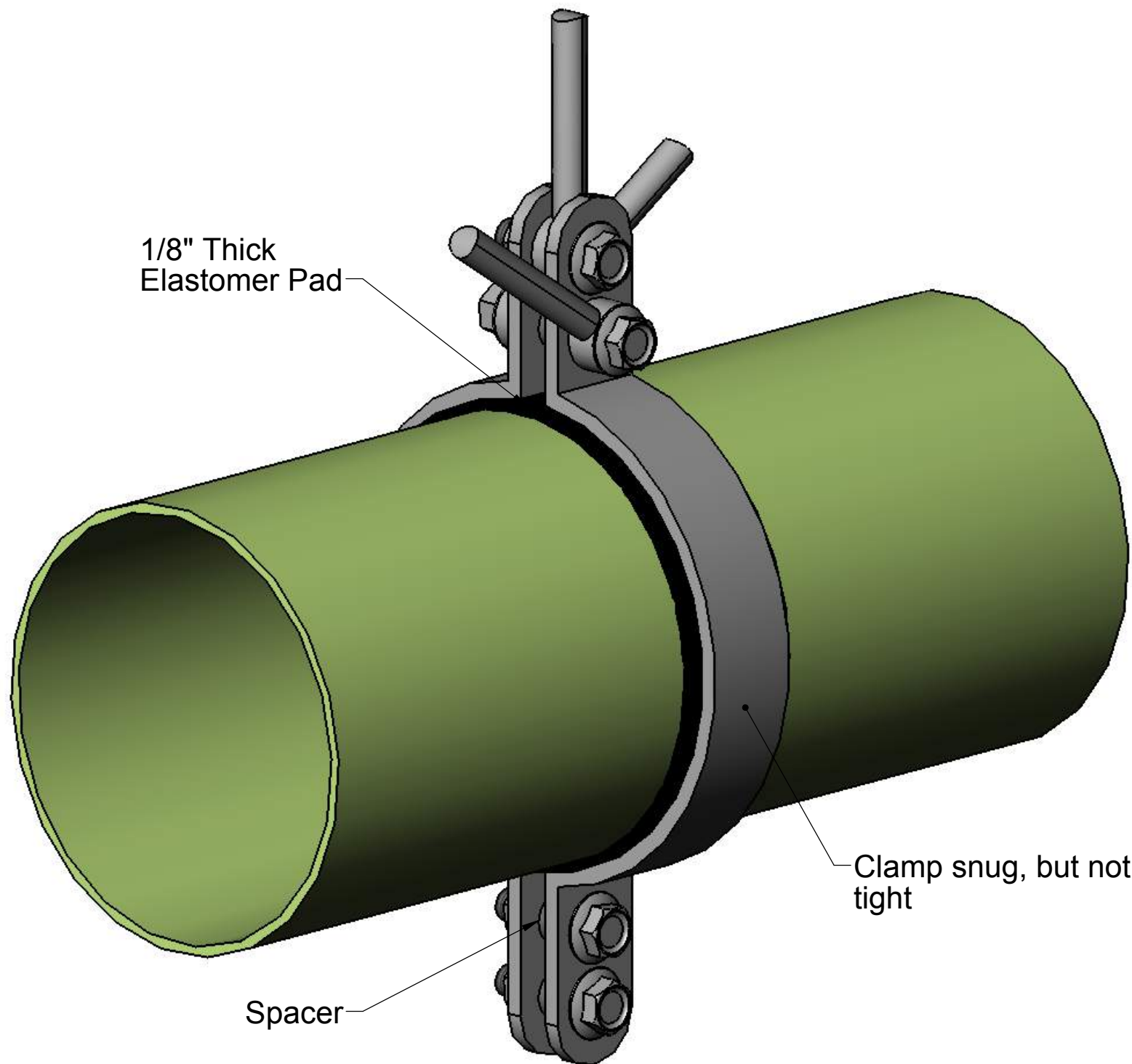


NOTES:



Steel Minimum Support Width (W) – 180° Contact (Saddles Not Required)

Pipe Size (in)	CL-2030, RB-2530, Chem Thread, Z-Core	Red Thread II, Green Thread, Silver Streak, F-Chem, CL-1520, RB-1520
1"	7/8"	7/8"
1 1/2"	7/8"	7/8"
2"	7/8"	7/8"
3"	1 1/4"	1 1/4"
4"	1 1/4"	1 1/4"
6"	1 1/2"	1 1/2"
8"	1 3/4"	1 7/8"
10"	1 3/4"	2 5/8"
12"	2"	3 1/4"
14"	2"	4"
16"	-	4"
18"	-	Contact Supplier.
20"	-	Contact Supplier.
24"	-	Contact Supplier.

* A thin layer of elastomer should be placed between the bracket and the pipe.

Eastern Canada
1188 Welford Place
Woodstock, Ontario
N4S 7W3

Western Canada
#2 - 9604 41st Avenue
Edmonton, Alberta
T6E 6G9

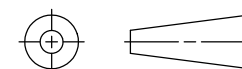
Toll Free: (800) 410-4802
Fax: (519) 537-8321
frp@frpsolutions.com

Fibreglass Solutions Inc.

Trapeze Hanger

FRP-H-4

THIRD ANGLE PROJECTION



CUSTOMER
X

PROJECT
Anchor, Support and Guide Design

DRAWN BY
J.GANDER

CHECKED BY
B.GOWLAND

APPROVED
B.GOWLAND

DATE
24 Jan 06

DATE
28 Feb 06

DATE
18 Apr 06

SIZE
-

SCALE
Not to Scale

WEIGHT
N/A lbs

SHEET 1 OF 1