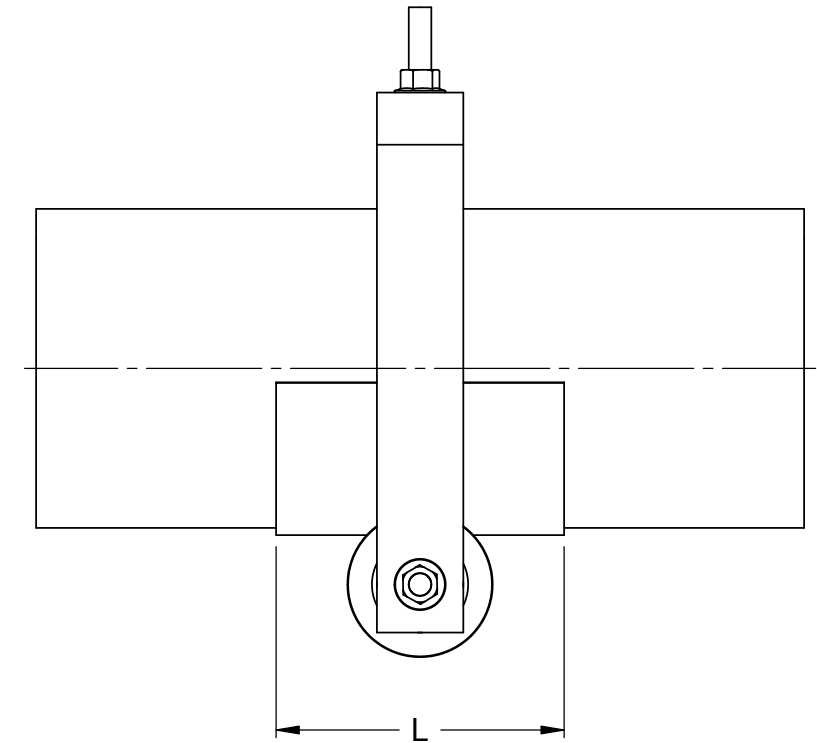
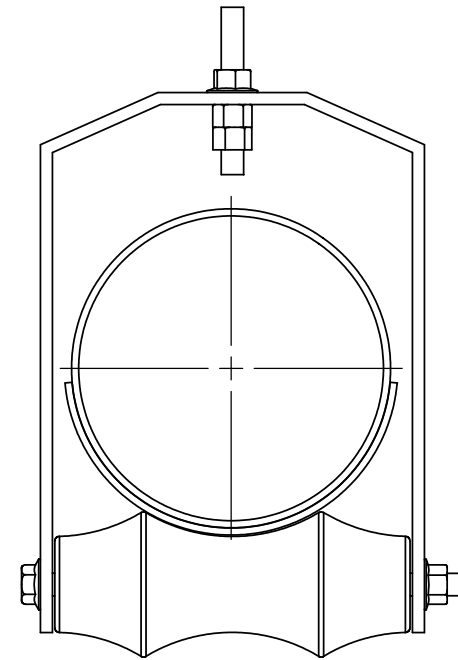
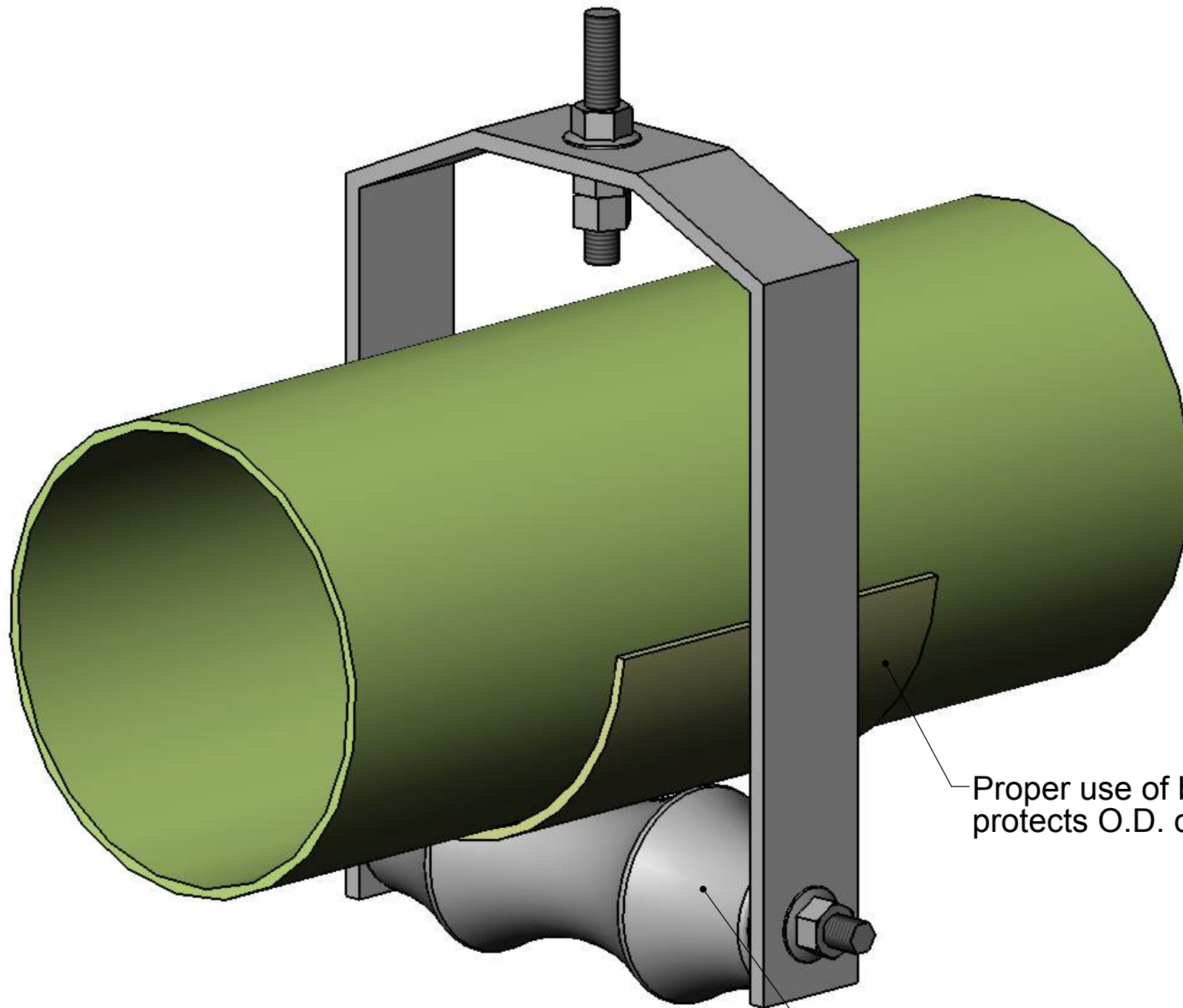


NOTES:



Pipe Support Saddle Length (L)

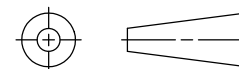
Pipe Size (in)	CL-2030, RB-2530, Chem Thread, Z-Core	Red Thread II, Green Thread, Silver Streak, F-Chem, CL-1520, RB-1520
Contact Angle	110 – 120°	170 - 180°
1"	3	2
1 1/2"	3	2
2"	4	4
3"	4	4
4"	4	4
6"	4	6
8"	5 5/8"	8
10"	8 3/8"	10
12"	8 3/8"	12
14"	8 3/8"	12
16"	-	12
18"	-	12
20"	-	12
24"	-	12

* Support saddles should be bonded or banded in position.

Roller provides support and free axial movement

Proper use of bonded wear saddle protects O.D. of pipe

THIRD ANGLE PROJECTION



Eastern Canada
1188 Welford Place
Woodstock, Ontario
N4S 7W3

Western Canada
#2 - 9604 41st Avenue
Edmonton, Alberta
T6E 6G9

Toll Free: (800) 410-4802
Fax: (519) 537-8321
frp@frpsolutions.com

Fibreglass Solutions Inc.

Roller Hanger

CUSTOMER
X

PROJECT
Anchor, Support and Guide Design

DRAWN BY
J.GANDER

CHECKED BY
B.GOWLAND

APPROVED
B.GOWLAND

DATE
27 Jan 06

DATE
28 Feb 06

DATE
18 Apr 06

TITLE

SCALE
Not to Scale

WEIGHT
N/A lbs

REVISION

FRP-H-3

SHEET 1 OF 1