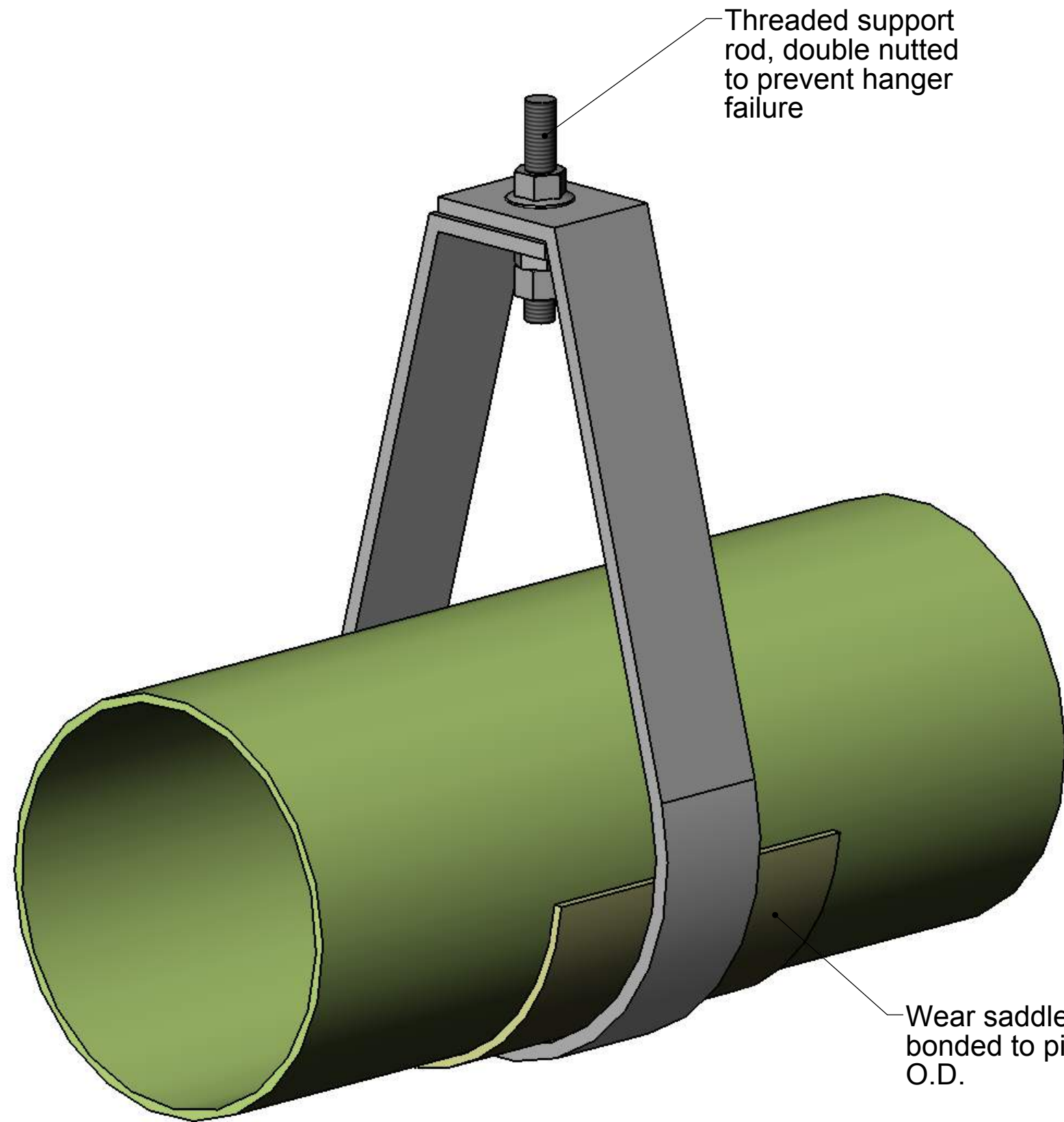
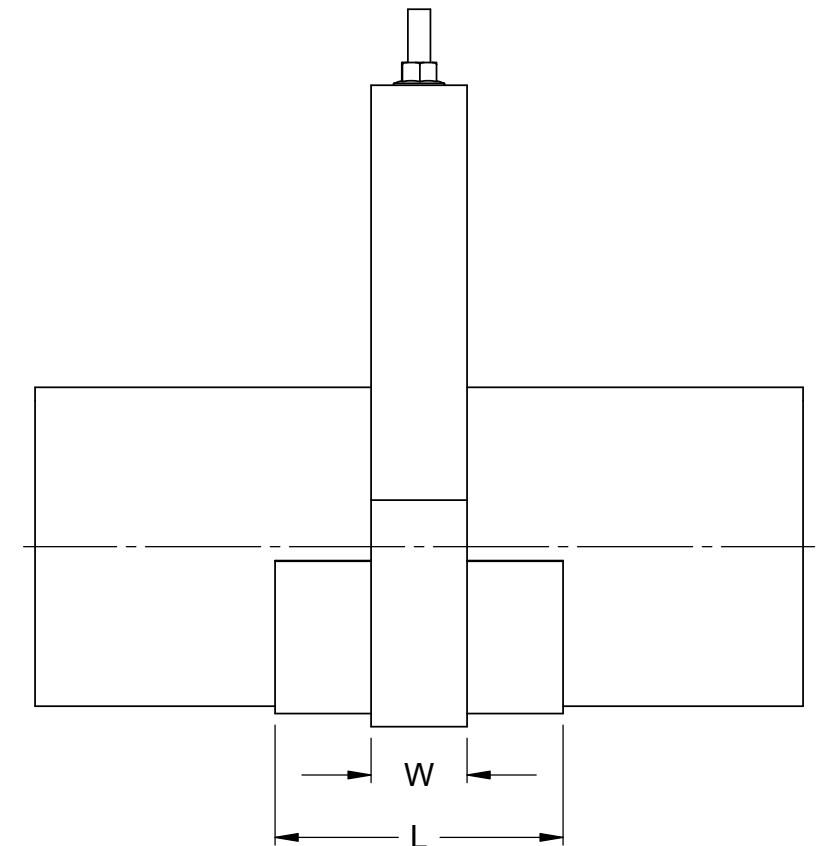
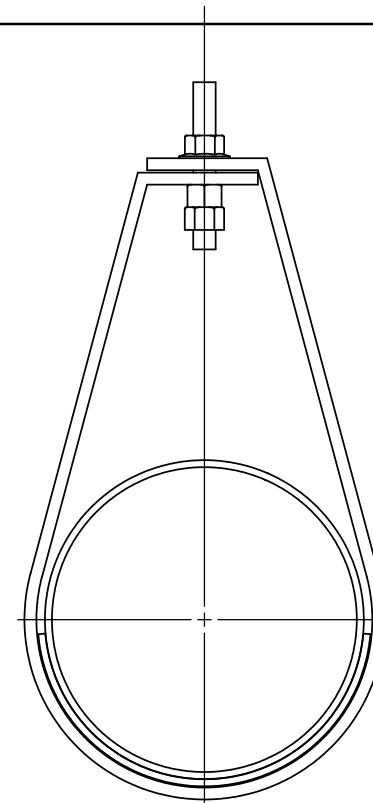


NOTES:



Threaded support rod, double nuted to prevent hanger failure

Wear saddle bonded to pipe O.D.



Pipe Support Saddle Length (L) – Minimum Steel Width (W)
 Use when circumferential contact less than 180°, or support steel width less than indicated minimum

Pipe Size (in)	CL-2030, RB-2530, Chem Thread, Z-Core		Red Thread II, Green Thread, Silver Streak, F-Chem, CL-1520, RB-1520	
	Min Steel Width (in)	Contact Angle 110 – 120°	Min Steel Width (in)	Contact Angle 170 - 180°
1"	7/8	3	7/8	2
1 1/2"	7/8	3	7/8	2
2"	7/8	4	7/8	4
3"	1-1/4	4	1-1/4	4
4"	1-1/4	4	1-1/4	4
6"	1-1/2	4	1-1/2	6
8"	1-3/4	5-5/8	1-7/8	8
10"	1-3/4	8-3/8	2-5/8	10
12"	2	8-3/8	3-1/4	12
14"	2	8-3/8	4	12
16"	-	-	4	12
18"	-	-	4	12
20"	-	-	4	12
24"	-	-	4	12

*Support saddles should be bonded or banded in position.

*Industrial adhesive (ie. Liquid Nails) may be used for support saddles

Eastern Canada
 1188 Welford Place
 Woodstock, Ontario
 N4S 7W3

Western Canada
 #2 - 9604 41st Avenue
 Edmonton, Alberta
 T6E 6G9

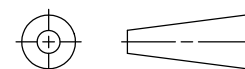
Toll Free: (800) 410-4802
 Fax: (519) 537-8321
 frp@frpsolutions.com

Fibreglass Solutions Inc.

Band Hanger

FRP-H-2

THIRD ANGLE PROJECTION



CUSTOMER
X

PROJECT
Anchor, Support and Guide Design

DRAWN BY
J.GANDER

CHECKED BY
B.GOWLAND

APPROVED
B.GOWLAND

DATE
27 Jan 06

DATE
28 Feb 06

DATE
18 Apr 06

SIZE
-

SCALE
Not to Scale

DRAWING NO

WEIGHT
N/A lbs

SHEET 1 OF 1