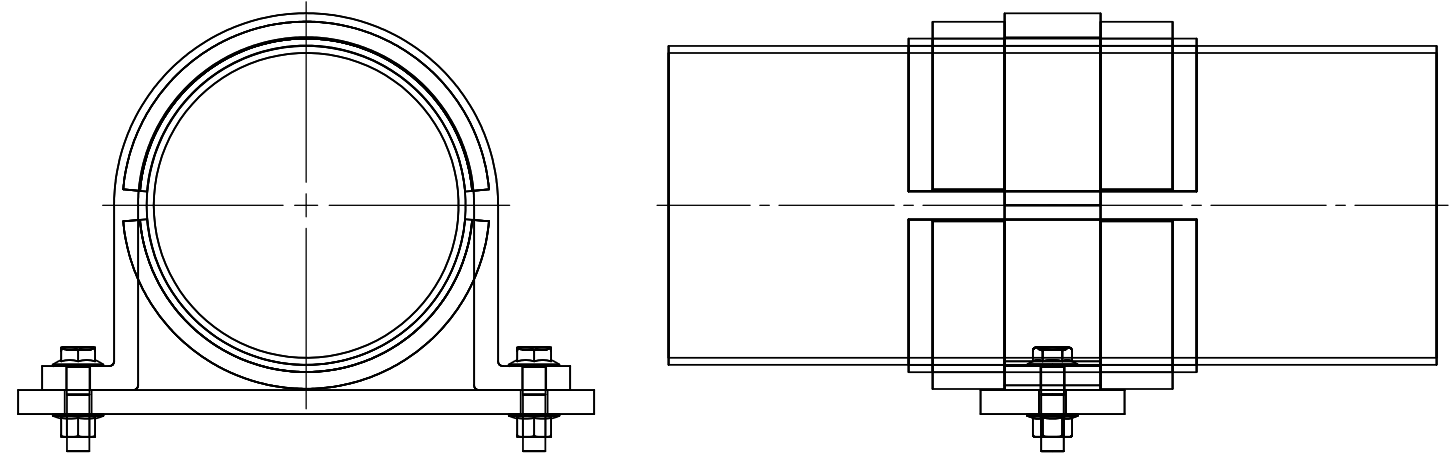


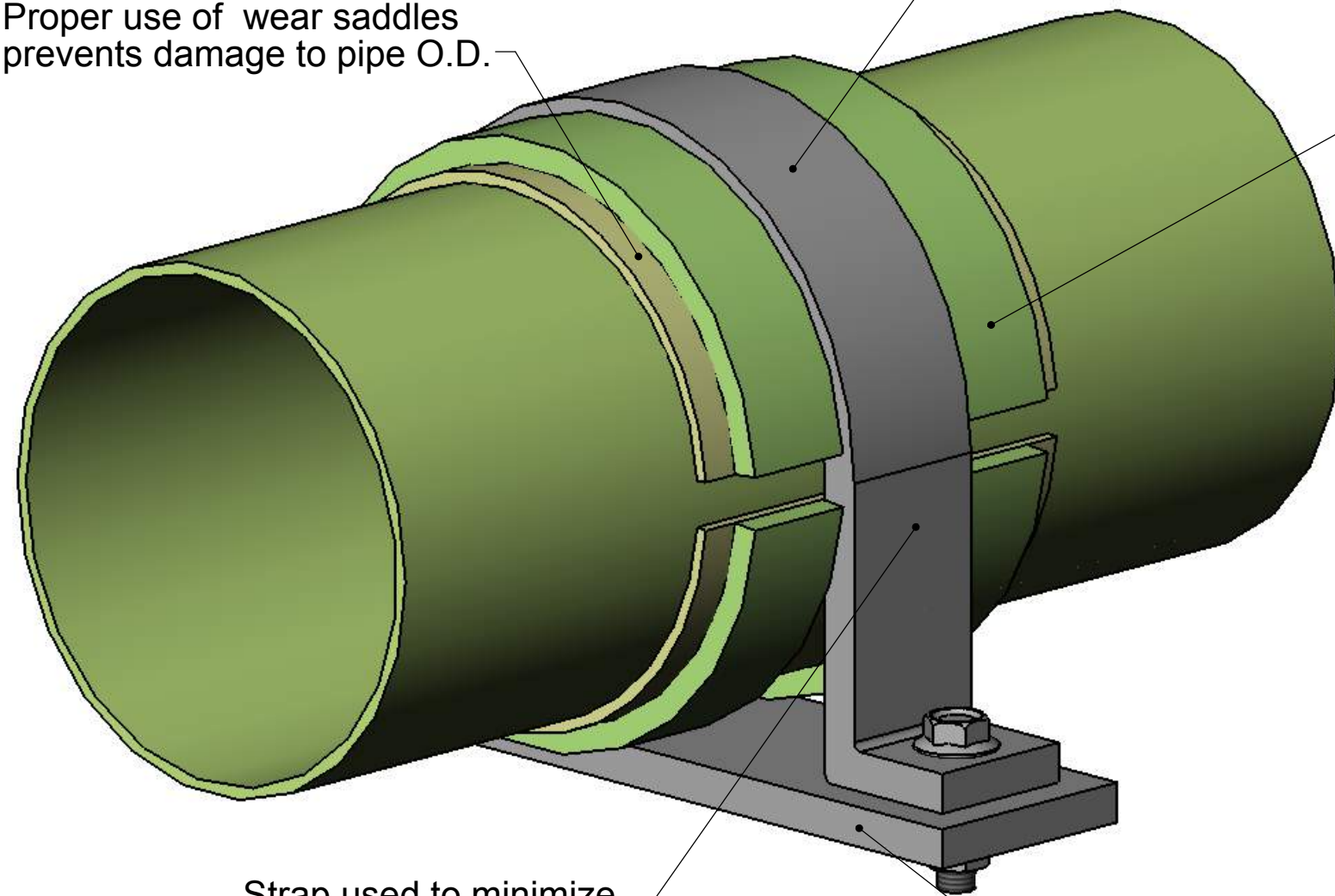
NOTES:



Proper use of wear saddles prevents damage to pipe O.D.

Clamp snug, not not tight

Shoulder saddles, bonded to wear saddles, control axial motion



Strap used to minimize effects of point loading

Strap bolted to bracket, beam or other supporting component

Pipe Anchors: Anchor Steel & FRP Anchor Saddle Minimum Widths

Pipe Size (in)	CL-2030, RB-2530, Chem Thread, Z-Core		Red Thread II, Green Thread, Silver Streak, F-Chem, CL-1520, RB-1520	
	Minimum Steel Width	Anchor Saddle Width (min.) (180° x 2)	Minimum Steel Width	Anchor Saddle Width (min.) (180° x 2)
1"	7/8"	1"	7/8"	1 1/2"
1 1/2"	7/8"	1 1/2"	7/8"	1 1/2"
2"	7/8"	2"	7/8"	2"
3"	1 1/4"	3"	1 1/4"	2"
4"	1 1/4"	4"	1 1/4"	4"
6"	1 1/2"	6"	1 1/2"	4"
8"	1 3/4"	6"	1 7/8"	4"
10"	1 3/4"	6"	2 5/8"	4"
12"	2"	6"	3 1/4"	4"
14"	2"	6"	4"	4"
16"	-	-	4"	4"
18"	-	-	4"	8"
20"	-	-	4"	8"
24"	-	-	4"	8"

* Anchor saddles should be bonded with DS 3033 adhesive (P/N 46990-060-0) or Weldfast ZC 275 (P/N 390927-020-1) for maximum shear strength.

Eastern Canada
1188 Welford Place
Woodstock, Ontario
N4S 7W3

Western Canada
#2 - 9604 41st Avenue
Edmonton, Alberta
T6E 6G9

Toll Free: (800) 410-4802
Fax: (519) 537-8321
frp@frpsolutions.com

FibreglassSolutions Inc.

Strap Anchor

CUSTOMER
X

PROJECT
Anchor, Support and Guide Design

DRAWN BY
J.GANDER

CHECKED BY
B.GOWLAND

APPROVED
B.GOWLAND

DATE
30 Jan 06

DATE
28 Feb 06

DATE
18 Apr 06

TITLE
FRP-A-2

SCALE
Not to Scale

WEIGHT
N/A lbs

REVISION
-

SHEET 1 OF 1

THIRD ANGLE PROJECTION

