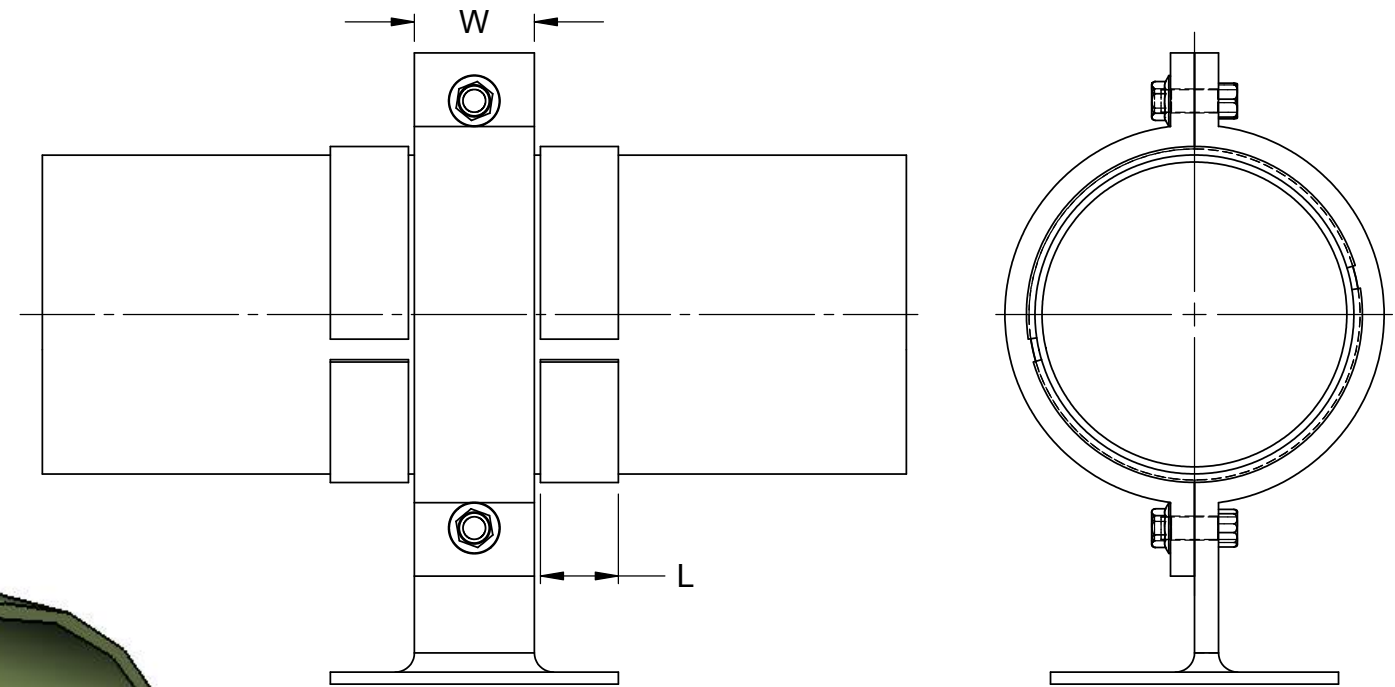
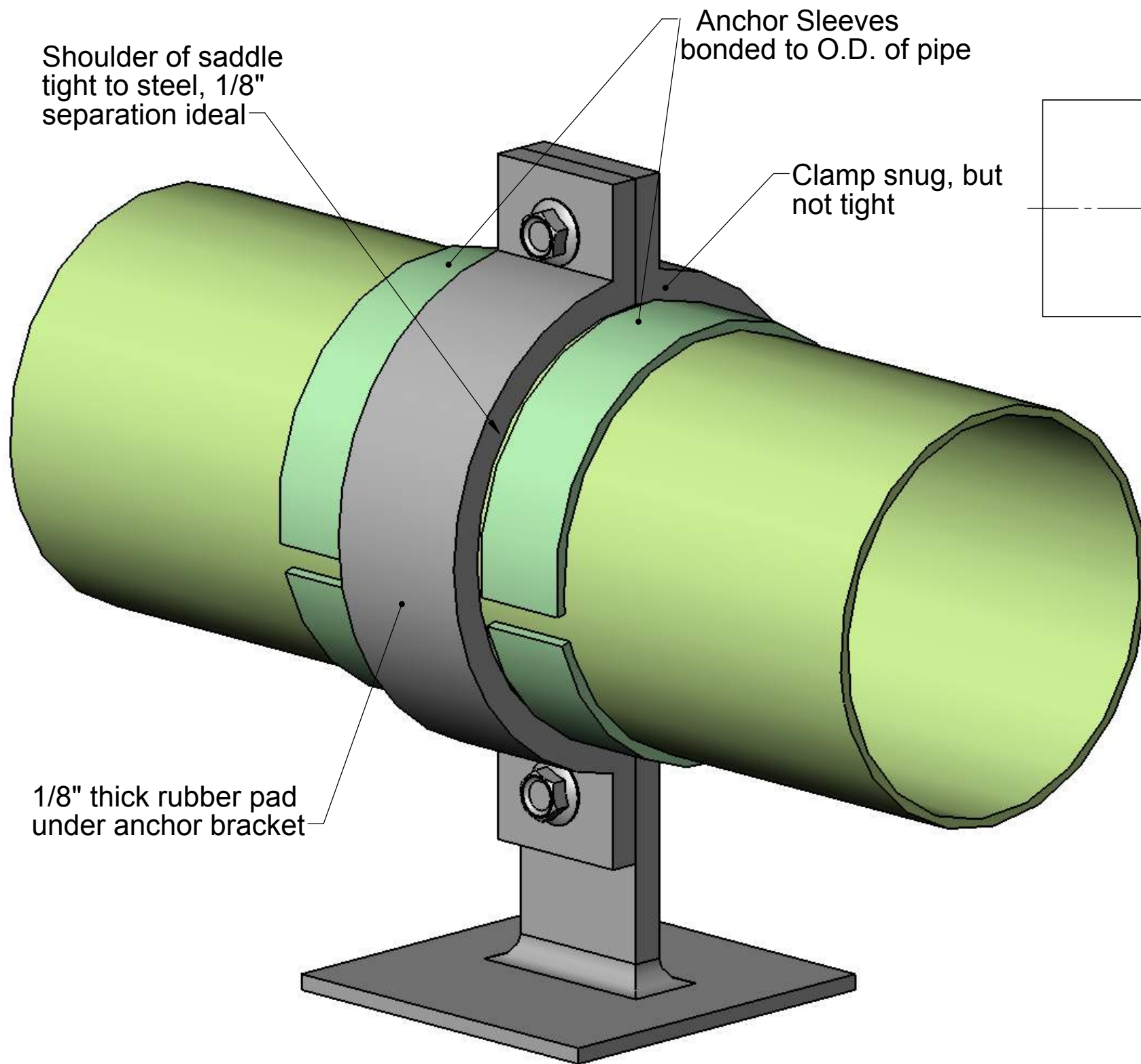


NOTES:



Pipe Anchors: Anchor Steel & FRP Anchor Saddle Minimum Widths

Pipe Size (in)	CL-2030, RB-2530, Chem Thread, Z-Core		Red Thread II, Green Thread, Silver Streak, F-Chem, CL-1520, RB-1520	
	Minimum Steel Width (W)	Anchor Saddle Width (min.) (180° x 2) (L)	Minimum Steel Width (W)	Anchor Saddle Width (min.) (180° x 2) (L)
1"	7/8"	1"	7/8"	1 1/2"
1 1/2"	7/8"	1 1/2"	7/8"	1 1/2"
2"	7/8"	2"	7/8"	2"
3"	1 1/4"	3"	1 1/4"	2"
4"	1 1/4"	4"	1 1/4"	4"
6"	1 1/2"	6"	1 1/2"	4"
8"	1 3/4"	6"	1 7/8"	4"
10"	1 3/4"	6"	2 5/8"	4"
12"	2"	6"	3 1/4"	4"
14"	2"	6"	4"	4"
16"	-	-	4"	4"
18"	-	-	4"	8"
20"	-	-	4"	8"
24"	-	-	4"	8"

- * Anchor saddles should be bonded with DS 3033 adhesive (P/N 46990-060-0) or Weldfast ZC 275 (P/N 390927-020-1) for maximum shear strength.
- * A thin layer of elastomer should be placed between the steel bracket and the pipe.
- * A fibreglass collar can also be laminated in place in lieu of the anchor saddles.

Eastern Canada
1188 Welford Place
Woodstock, Ontario
N4S 7W3

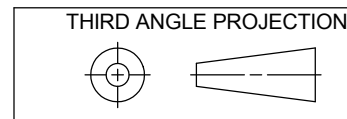
Western Canada
#2 - 9604 41st Avenue
Edmonton, Alberta
T6E 6G9

Toll Free: (800) 410-4802
Fax: (519) 537-8321
frp@frpsolutions.com

Fibreglass Solutions Inc.

Pipe Anchor

FRP-A-1



CUSTOMER X	DATE 19 Jan 06	SIZE -	DRAWING NO.	REVISION
PROJECT Supports, Anchors and Guide Design	DATE 28 Feb 06	SCALE Not to Scale	WEIGHT N/A lbs	SHEET 1 OF 1
DRAWN BY J. GANDER	DATE 18 Apr 06			
CHECKED BY B.GOWLAND				
APPROVED B.GOWLAND				